

# FLUSH SLIDING DOOR SYSTEM MFU1200 Two-way Damper



	MFU1200-40	MFU1200-70
Width	800 - 1200 mm	
Height	Max. 2700 mm	
Thickness	30 - 40 mm	
Weight	20 - 40 kg	40 - 70 kg
Adjustment	Depth : ± 4 mm	
	Height : ± 4 mm	

Flush door system with 2-way damper, for doors up to 70kg.

- Doors will be flush with walls when closed.
- Door can be pushed open and no handle is necessary on the door front.
- The two-way damper allows doors to be both opened and closed softly.
- Limited number of parts for easy installation.
- Improved adjustments for a perfect result.
- No bottom rail or floor groove is necessary.

### INSTRUCTION

#### Application

- Walk-in closets, hidden rooms, shop storage space.

#### Remarks

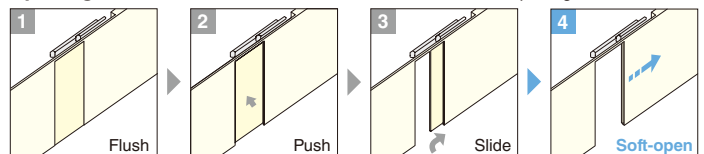
- MFU1200-R opens from right to left. MFU1200-L opens from left to right.
- The bottom bracket protrude from the door bottom. Make sure to leave enough clearance when opening the door.

### Black Parts

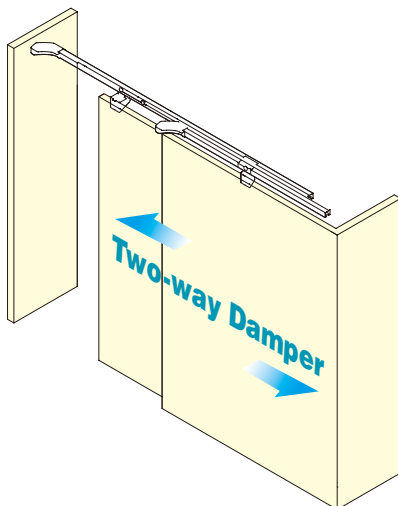


### Opening Motion

No handle is needed on the door front for opening.

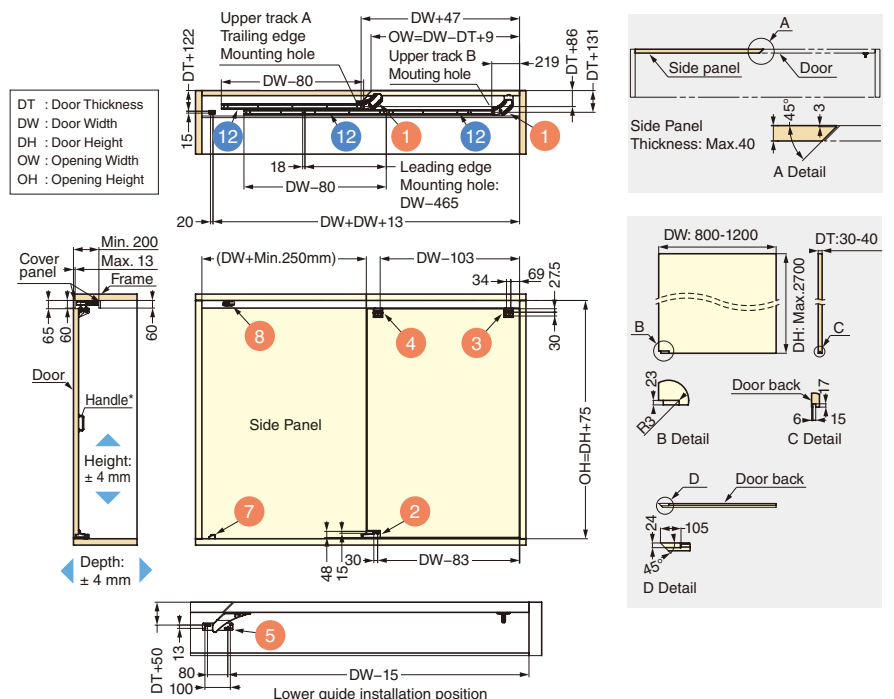


### Two-way Damper



- Soft open and close.
- 100 mm long damper stroke.
- Light opening and closing force.

### Installation Example



\* Drawings are for a Left to Right opening (MFU1200-L). Right to Left opening (MFU1200-R) is symmetrically opposed.  
 \* The door cannot be opened from the inside without a handle (not included).